
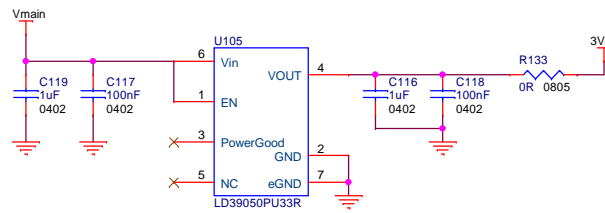
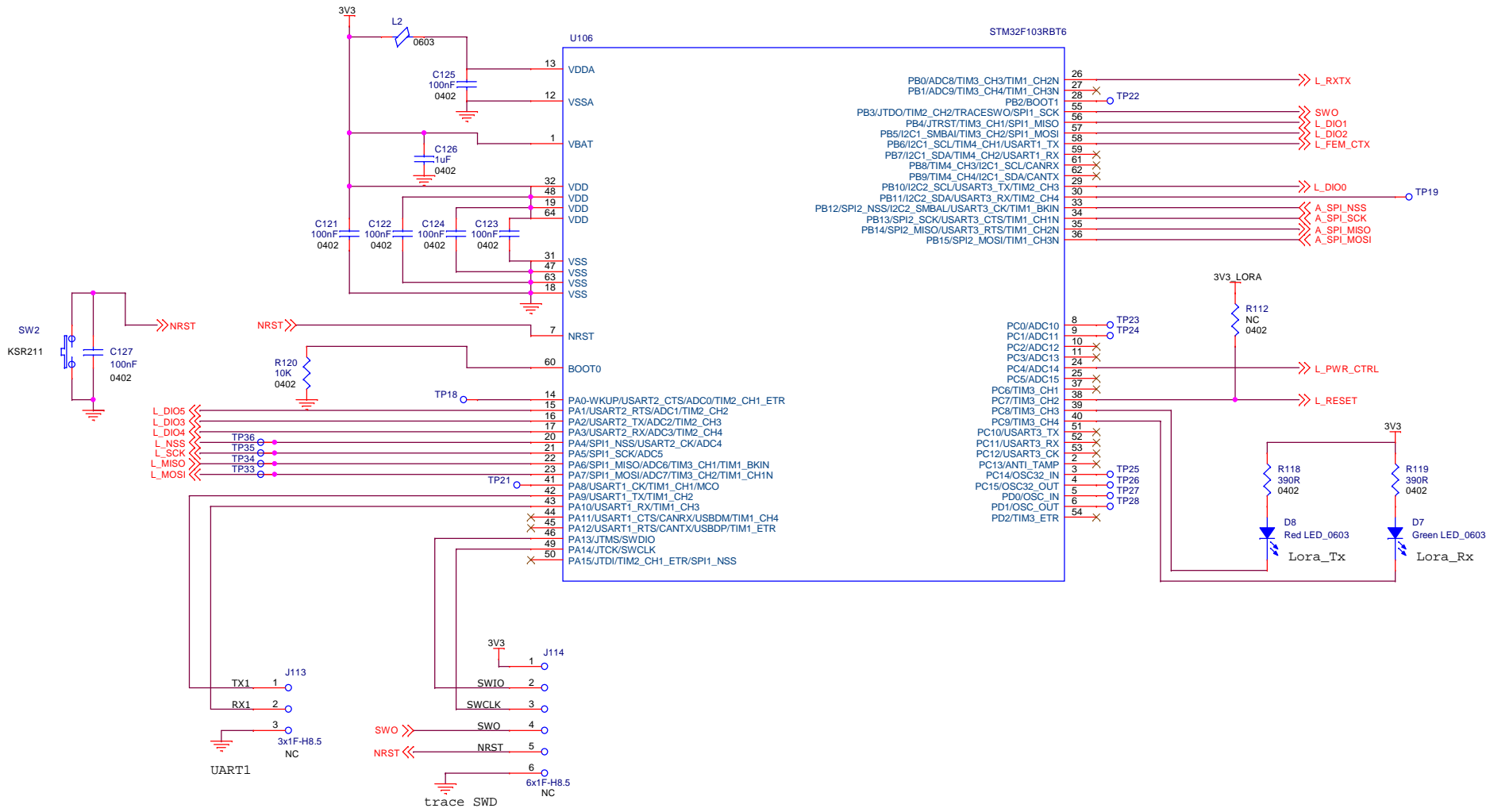



Shield Lora Fabian for Arduino Information and Revision

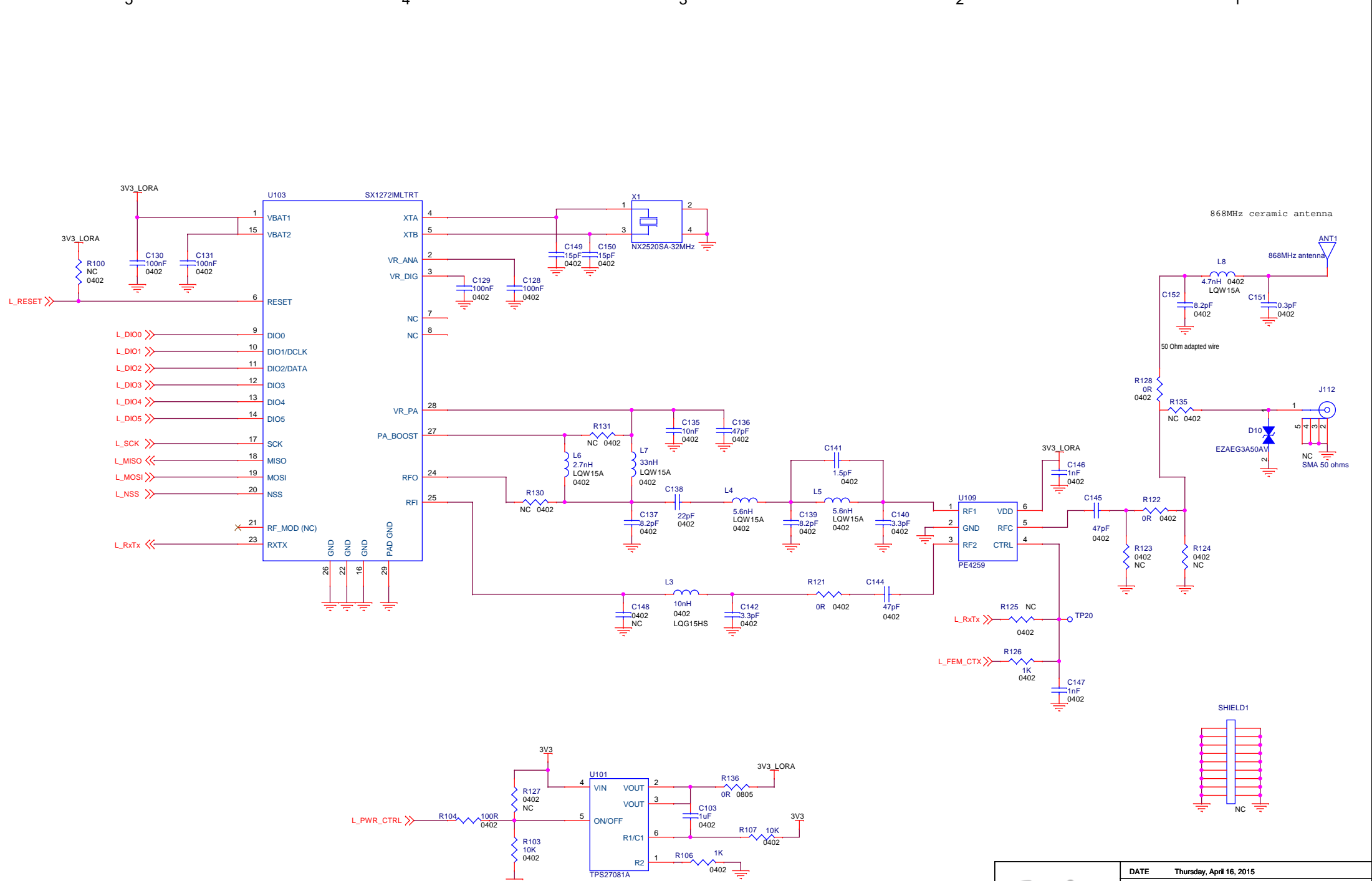
Date	Release	Description
27/06/14	V0.1	Creation
29/07/14	V0.2	update after internal review
06/08/14	V0.3	update after internal review
08/08/14	V1.0	Released version
04/02/15	V1.1	Released version with LOGO Froggy factory Silkscreen.

	DATE Thursday, April 16, 2015		
	PROJECT SHIELD_LORA_FABIAN		
	TITLE History and Revision		
Format A3	Reference LORAFAB_SCH	Rev 1.1	Page 1 / 4



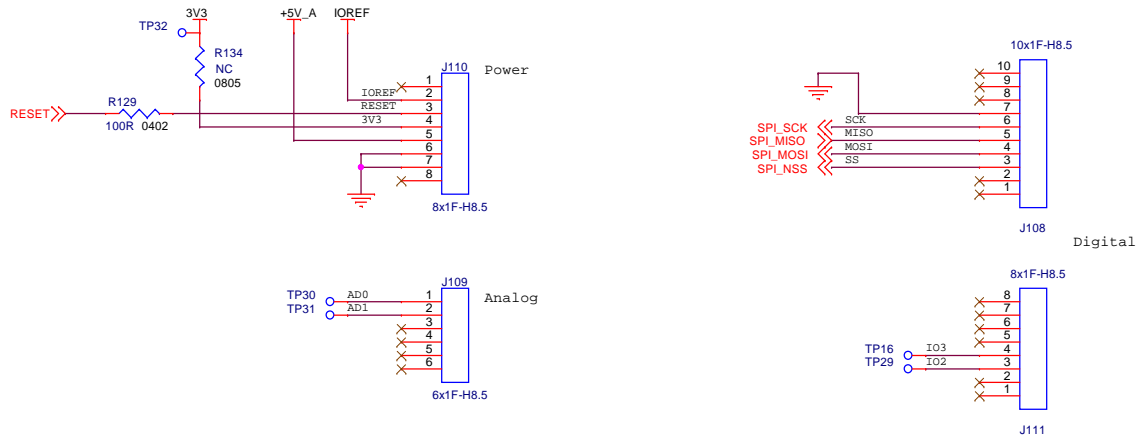
500mA LDO

		DATE	Thursday, April 16, 2015		
		PROJECT	SHIELD_LORA_FABIAN		
		TITLE	Processor STM32		
Format	Reference	Rev	Page		
A3	LORAFAB_SCH	1.1	2 / 4		

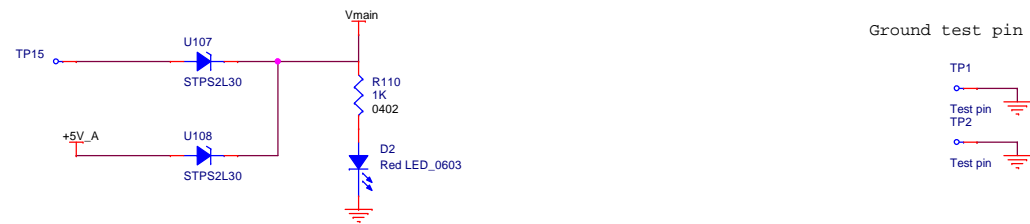
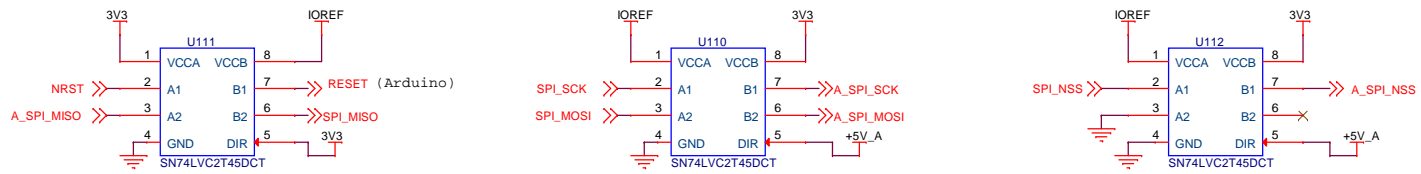


DATE		Thursday, April 16, 2015	
PROJECT		SHIELD_LORA_FABIAN	
TITLE		RF LOnge RAnge	
Format	Reference	Rev	Page
A3	LORAFAB_SCH	1.1	3 / 4

Arduino Board connectors (seen in top view)



Arduino 5V / 3V3 level shifting



	DATE	Thursday, April 16, 2015		
	PROJECT	SHIELD_LORA_FABIAN		
	TITLE	External Link		
	Format A3	Reference LORAFAB_SCH	Rev 1.1	Page 4 / 4